

## ES282-PG IP 话机快速操作指南



### LEDs

表 1 状态灯

LED 灯状态	描述
红色闪烁	某线路有来电正在呼入及线路被保持
红色常亮	某线路摘机且正在进入正常通话状态

表 2 线路键状态

LED 灯状态	描述
红色闪烁	对应线路来电
绿色常亮	对应线路通话中
绿色闪烁	对应线路保持中
无亮灯	对应线路空闲状态

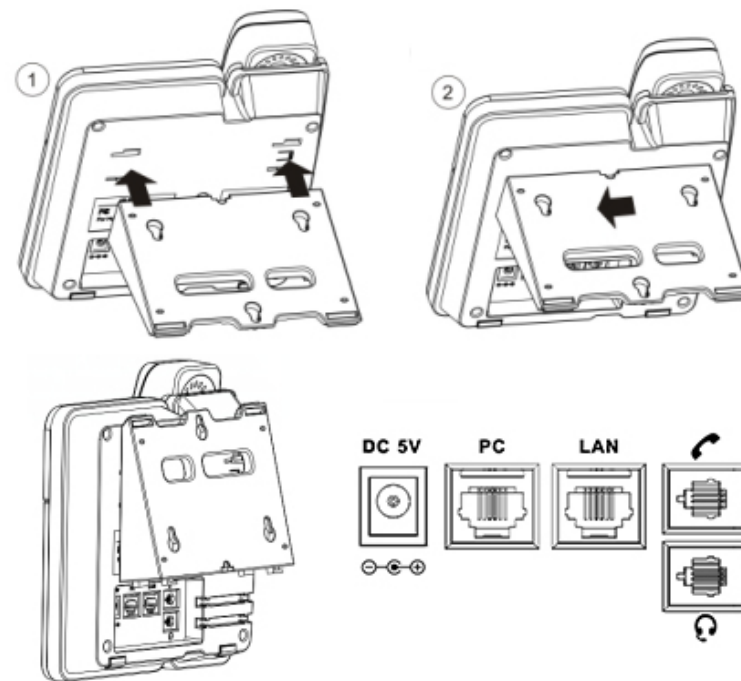
表 3 其他处于红色状态

对应键	描述
耳麦、消息	对应功能正启用

### 配件清单

列表	数量
话机	1
手柄	1
手柄曲线	1
网线	1
快速操作指南	1
支架	1
合格证	1

### 安装支架，话机接入



- PC 口接电脑，LAN 口接外网，DC 5V 接电源，右下接 RJ9 耳麦，右上接 RJ9 手柄。

### 网络设置

- 步骤为：按话机上软按键菜单(或 OK) => 系统设置 => 高级设置 => 输入高级设置密码（默认为空） => 网络 => LAN 口 => 网络类型（DHCP/静态 IP/PPPOE） => 进入 => 保存 => 确定（重启生效）。  
有以下选项：静态 IP、拨号 PPPOE、DHCP 自动获取  
选择静态 IP 后按导航键-下，看到 IP 地址设置，可对 IP 及网关等网络信息进行设置，其中“.”请用键“\*”输入，修改完后确定。  
选择 PPPoE 输入账号和密码后按保存 => 确定（重启生效）。  
选择 DHCP 不用设置 IP。

### 注册账号

- 按话机上的菜单键菜单（或 OK） => 系统设置 => 高级设置 => 输入高级设置密码（默认为空 => Sip 帐号 => 账号 X（X-1, 2），之后分别配置以下帐号参数：帐号激活状态、标签、显示名、认证用户名、注册名、密码、SIP 服务器等
- 主 SIP 域名：输入 SIP 服务器 IP（“.”请用键\*输入，注意 IP 话机与 SIP 服务器间网络必须可达），之后选取“保存”，即可完成 SIP 账户的添加。

### 发起呼叫

您可以摘机或按下耳麦键或免提键来进行一个呼叫。

- 直接呼叫：按下免提、耳麦键或者摘下手柄直接拨打号码，然后按#键或按发出软键；
- 重拨：按重拨键以列出所有“已拨号码”，可以有选择的拨打您需要拨出的号码；
- 从呼叫记录进行呼叫：直接按“话单”或者“上导航键”，调出“全部记录”再按右导航键选择“未接号码”、“已接号码”或“已拨号码”或者“前转来电”列表来选择一个号码，也可以按各导航键（左、右、下）分别调出已接、已拨、未接“再按“拨号”软键进行呼叫。

### 呼叫转移

实现来电前转：前转，通话转移；咨询转

- 来电前转：在来电时，按下前转同时拨出需要转移的目的号码，本机直接挂机，注：本机不管转移的号码在不在线；
- 咨询转：在通话中按下“转移”键，听到拨号音，此时拨打需要转移的目的号码，等待对方振铃并接听起来话后再按“转移”键可实现转移。

\*更多的详细内容以及话机配置信息请参考本话机的用户手册。您也可以访问话机的 Web 页面来进行更详细的参数配置，在话机空闲时，按 C 键查看话机的 IP 地址，在电脑的浏览器中输入 IP 话机的地址，输入话机的用户名、密码（默认均为 root），即可进入了 IP 话机的网页配置界面。



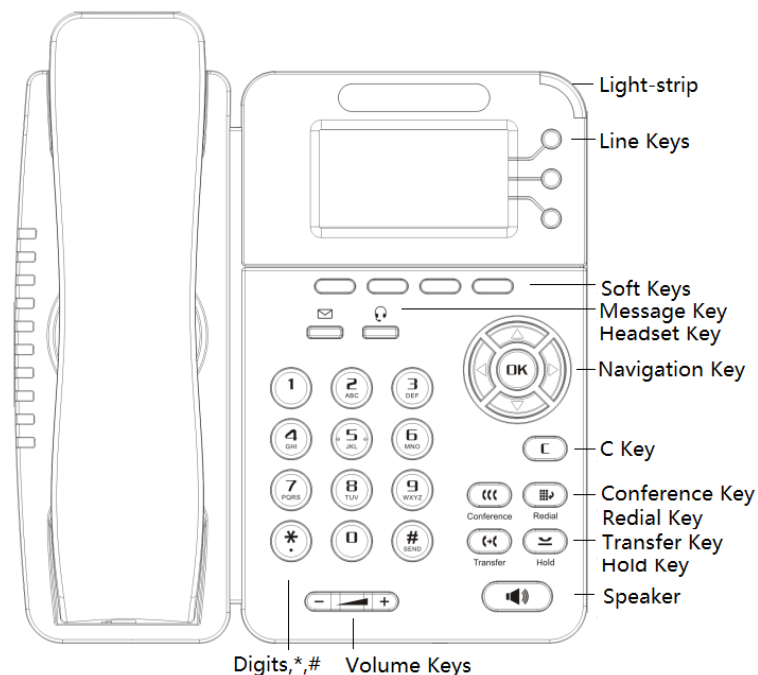
广州市亿景通信技术有限公司

地址：广州市天河区东圃镇黄村路 51 号粤安工业园 C 栋 4 楼

网址：<http://www.escene.cn>

电话：020-82320720

# ES282-PG IP Phone Quick Operation Guide



## LEDs

Table 1 Light-strip

LED Status	Description
Red, flashing	There is an incoming call or be Hold.
Red, steady	Hook-off. or enter a usual conversation

Table 2 Line Buttons

LED Status	Description
Green, steady	Talking with someone
Red, flashing	Someone was calling the line
Green, flashing	The line was on hold
Dark	Accounts was idle

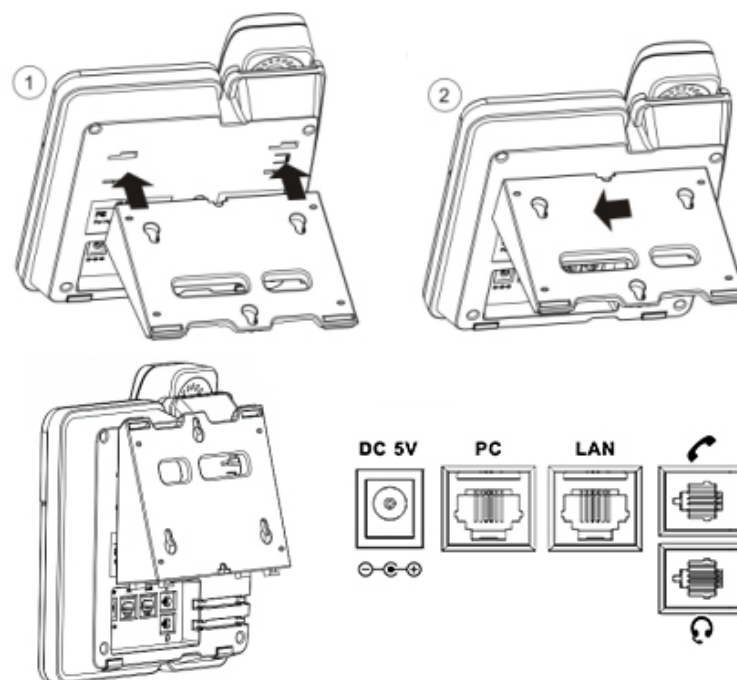
Table 3 Others in REDs

Buttons	Description
Headset, Mute	The corresponding function is enabled.

## List

Name	Amount
IP Phone	1
Handset	1
Handset Cable	1
Network Cable	1
Bracket	1
Quick Operation Guide	1

## Mounting Bracket



- PC port is connected to the computer, LAN port is connected to the network. DC 5V port is connected the power adapter. RJ9 port is connected RJ9 headset.

## Network Settings

- Steps: Press the menu button on the phone **MENU=> System setting=> Advanced setting=>Enter Advanced Password** (Empty by default) by pressing **OK => Network => click OK**  
Type has the following options : **STATIC**、**PPPoE**、**DHCP**  
Choose **STATIC** press Navigation key - to the next, see the IP address settings, the IP and gateway settings and other related network information. Entry "." use the key of "\*", then confirm.  
Select **PPPoE** username and password to register.  
Select **DHCP** needn't to setting IP.  
NOTE: When you change the mode with NetWork , it need to be reboot.

## Register account

- On the phone, press **MENU** button => **System Setting => Advanced Setting=>type Advanced password** (it is idle by default) and press **OK** button=> **SIP=> Accounts SIP =>Account 1**, and then set the main parameter as follow:  
**Enable Account:** Select Enable | **Account Mode:** VOIP  
**Account:** Type your SIP account  
**Authen User:** The authentication with the account  
**User Pwd:** Type your SIP password  
**SIP1:** Type the IP address of your SIP server (you can type "." by "\*" button, you must confirm the connection between the phone and SIP server), And then select Submit changes, and press OK button to submit the changes.

## Placing a Call

- You can pick up the handset or press **Headset/Speaker** button to place a call.
- Dial directly:** Dial number directly, then press # button or Send soft-key (it will call from the first available line);
  - Redial:** Press **Redial** button/soft-key to dial the latest number;
  - Dial from Call history:** Press **Menu** button, select "Call history" and select one of "Missed calls", "Received calls" and "Dialed numbers" lists to dial by pressing **Dial** soft-key.

You can open Call history in standby status of phone by pressing corresponding Navigation-buttons, for example , **Left** button : "Received Calls" list ; **Right** button : "Dialed Numbers" list ; **Down** button : "Missed Calls" list . **UP** button : "tone volume" ; "**OK**" button to confirm the key ; next to the "**C**" key for the Cancel button.

**\*This document introduces normal function operation of IP phones only. For details (operation and configuration), refer to User Manual. And set details on the web page of phone. In the browser, input the IP phone's address and the phone's user name and password (default is root), and then login into the IP phone's web configuration interface.**



ESCENE COMMUNICATION CO.,LTD.

Web: <http://www.escene.cn/en>

Tel: (+86)20-82320720

Address: Floor 4 Building C YueAn Industrial Park No.51 Huangcun Road Tianhe District Guangzhou China